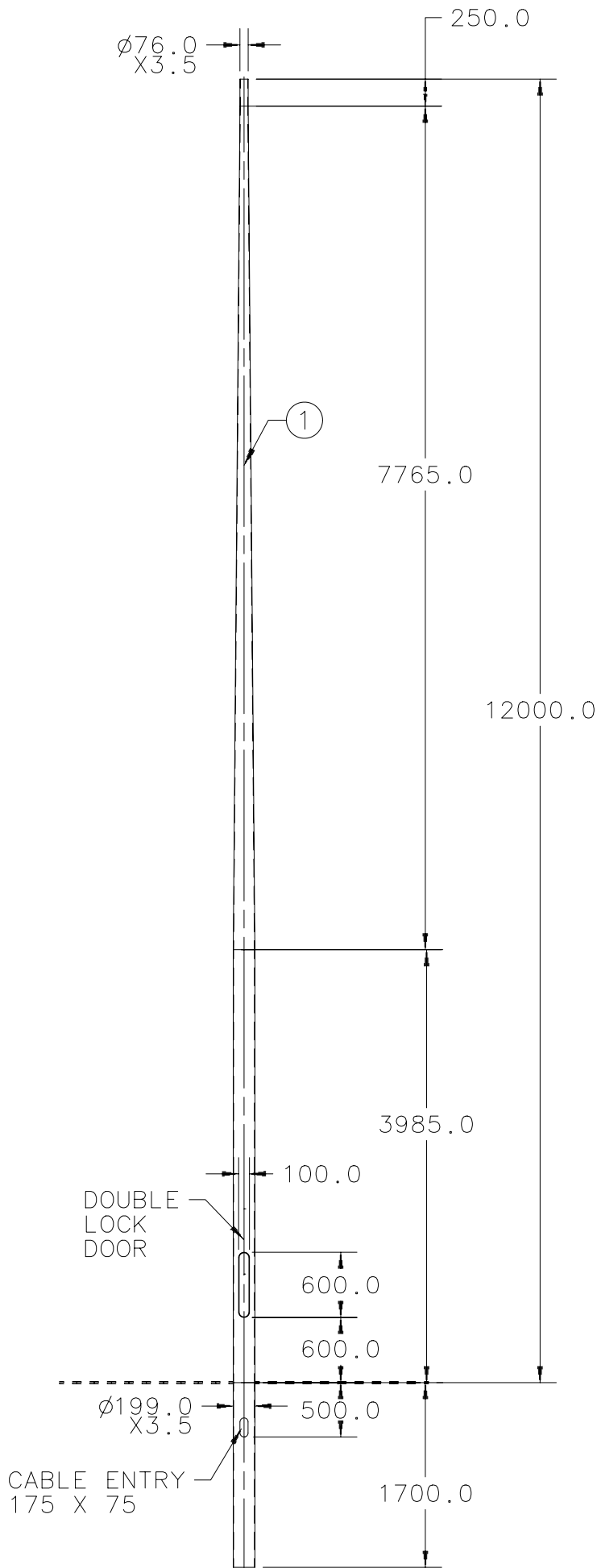


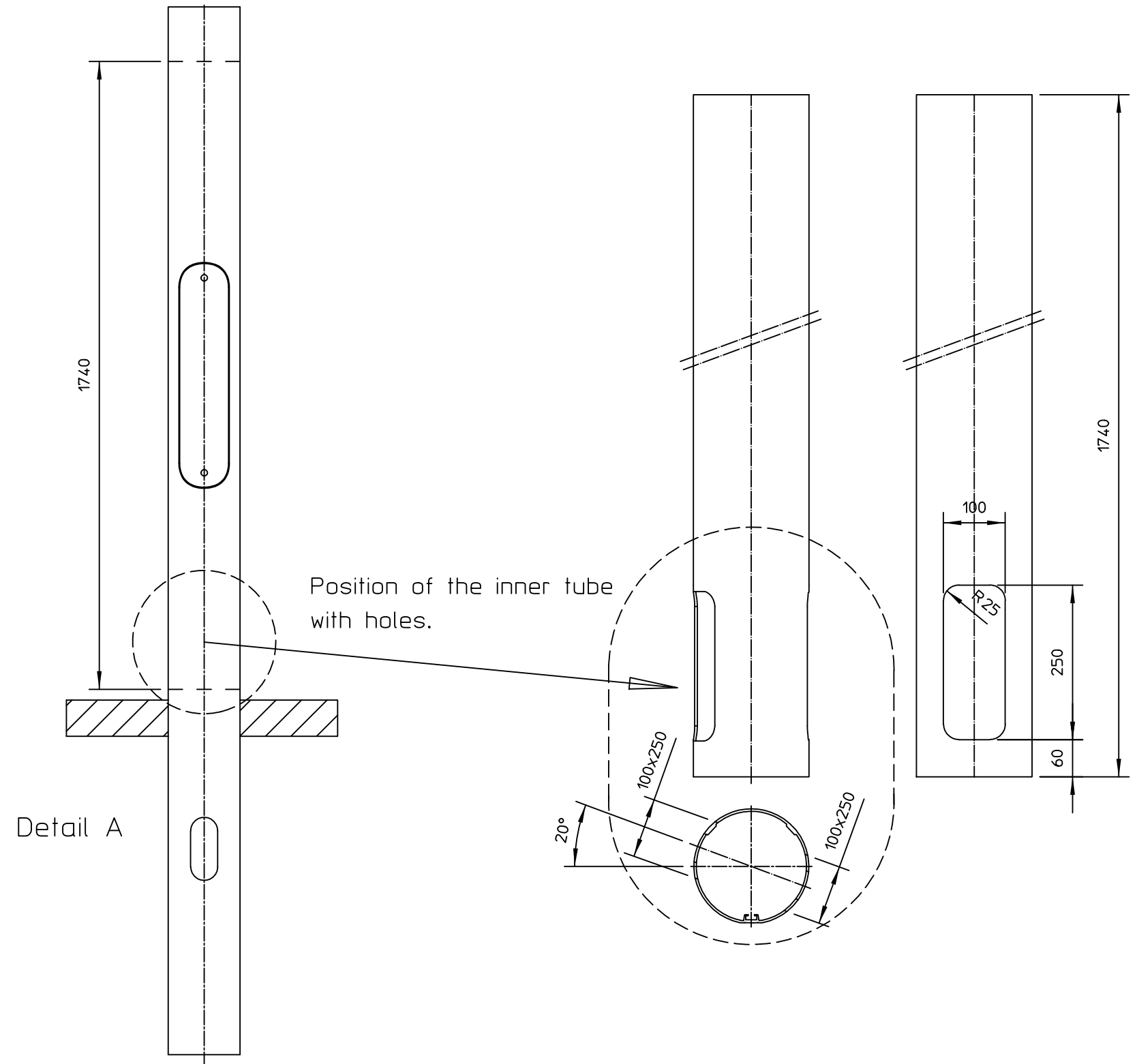
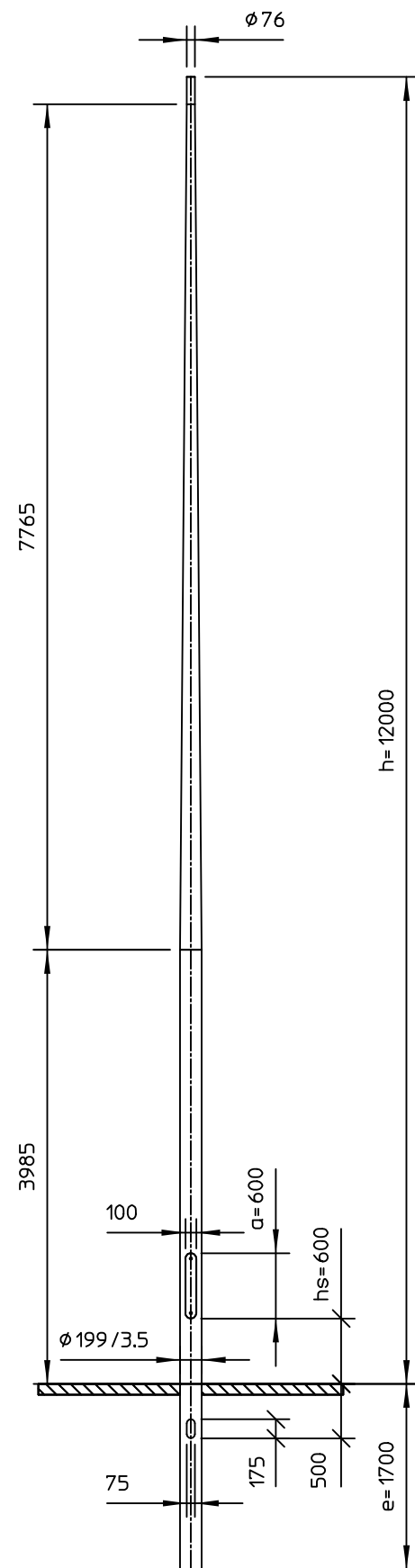
STANDARD SPECIFICATION

- EARTH PIN IN DOOR
- THERMOPLAST ROOT PROTECTION
- COLUMN BASE PROTECTOR
- STANDARD REINFORCEMENT TUBE
- MACHINE BRUSHED FINISH



NUM	PART NAME	Qty
1	12M 199X3.5 BASE CONICAL COLUMN 100LE2 RATING	1

CUSTOMER SIGNATURE		DATE	
		/ /	
TITLE	12M 199X3.5 BASE CONICAL COLUMN 100LE2 RATING	ENQUIRY NUMBER	
		AL-23698	
DRAWING NUMBER	MA-9S-23698-010100-01	JOB NUMBER	
		XXXXX	
PART NAME	12M 199X3.5 BASE CONICAL COLUMN 100LE2 RATING	BY	DATE
MATERIAL	6005A T6 MASS 81.9KG	PC	15/07/09
		CHECKED	
		ALL MEASUREMENTS IN (MM) UNLESS OTHERWISE STATED	
		SCALE	NTS
ALC ALUMINIUM LIGHTING COMPANY LTD. <small>THIS DRAWING REMAINS THE PROPERTY OF THE ALUMINIUM LIGHTING COMPANY LTD. (ALC LTD.). THE INFORMATION CONTAINED IN THIS DRAWING MAY NOT BE MODIFIED, REPRODUCED OR BE USED FOR PERUSAL BY A THIRD PARTY WITHOUT THE WRITTEN PERMISSION OF THE OWNER. COPYRIGHT © DESIGN RIGHT. PATENT PENDING HELD BY THE ALUMINIUM LIGHTING COMPANY UNLESS OTHERWISE STATED.</small>			



Root protection Thermoplast/IPC 200 mm above groundlevel

Material:						
EN AW 6005AT6						
Revision		Description			Date	By
A		Detail A inner tube			21-04-09	JH
Lt	7765.0 mm.	Measurements in mm unless otherwise stated.				
Lc	3985 mm.	By		Date	All rights reserved. This drawing is the property of NEDAL and may not be copied or multiplied neither wholly nor partly. It may not be submitted for perusal to third parties either. MEMBER OF THE HunterDouglas GROUP	
M	81.9 kg.	Drawn	JH	20-04-09		
Arbor	2003-8	Checked	JH	21-04-09		
Description:				Art.nr.	Issue	
Lighting pole Boulevard				K120PT19.8T.002	A	

Nedal
ALUMINIUM